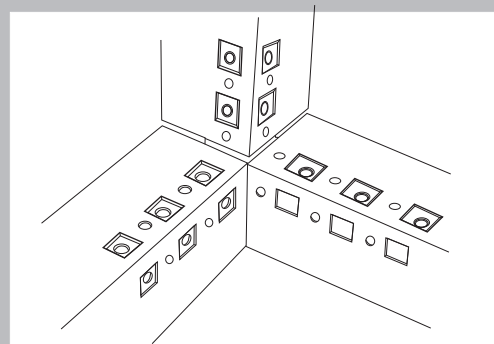
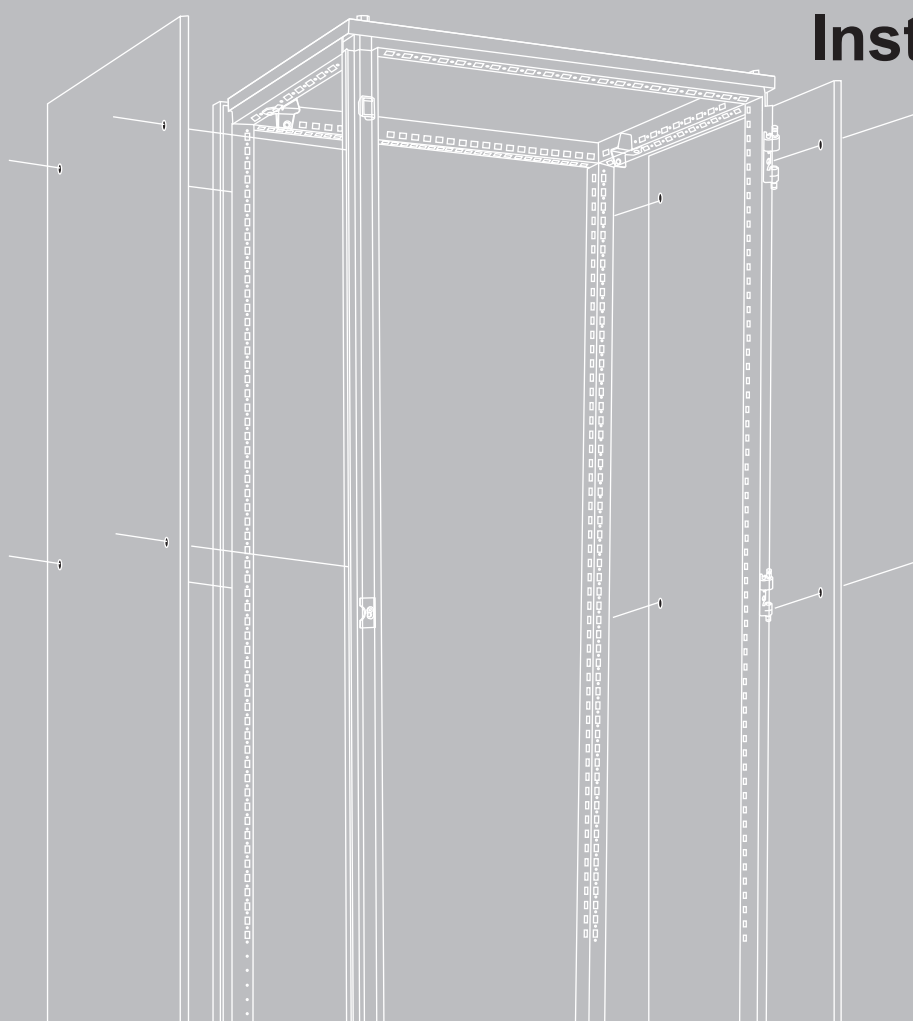


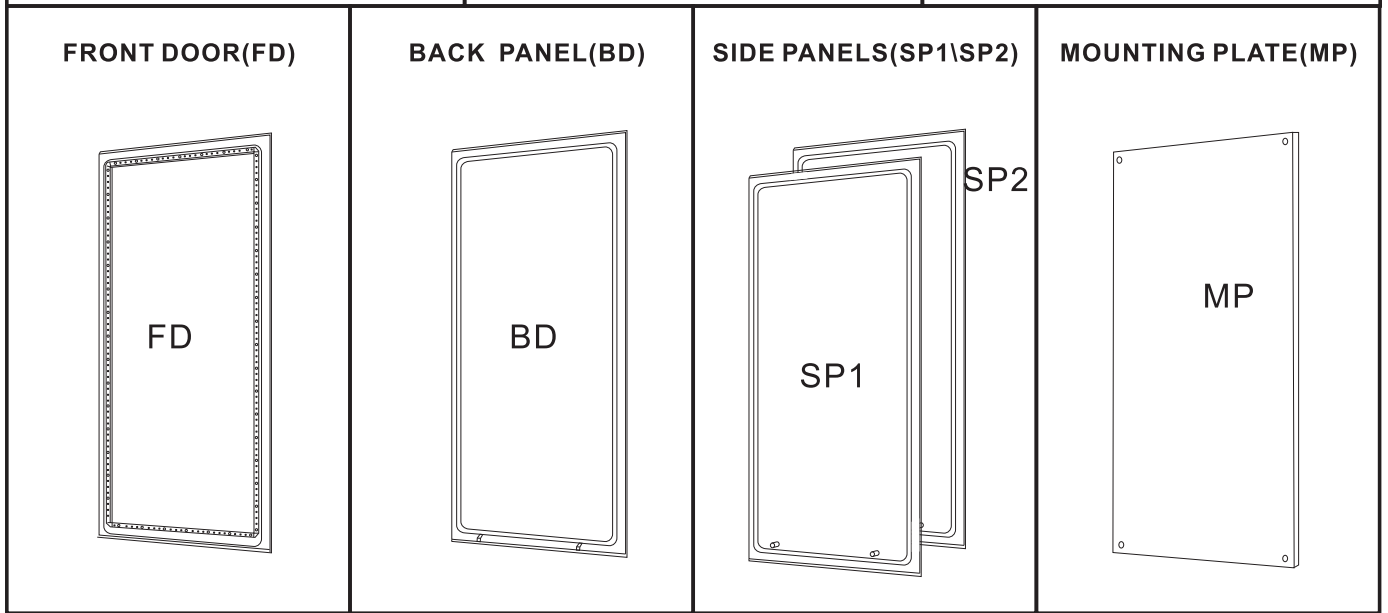
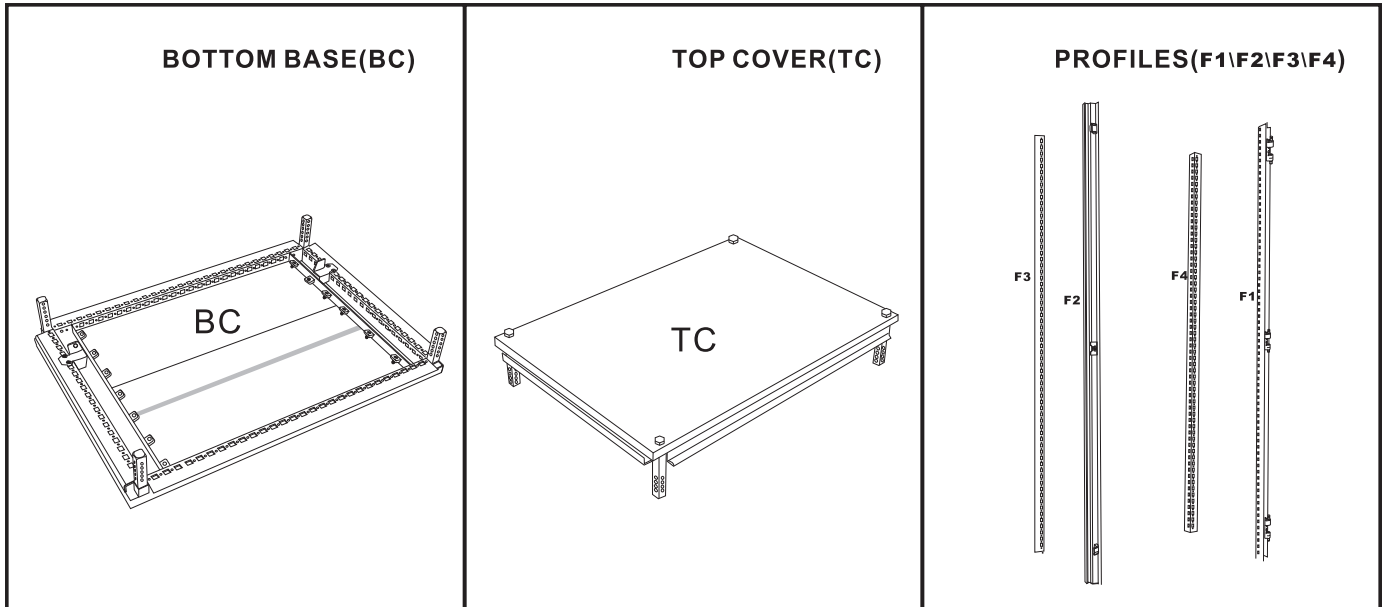
AR9000、AR9K、AR8000















Installation manual

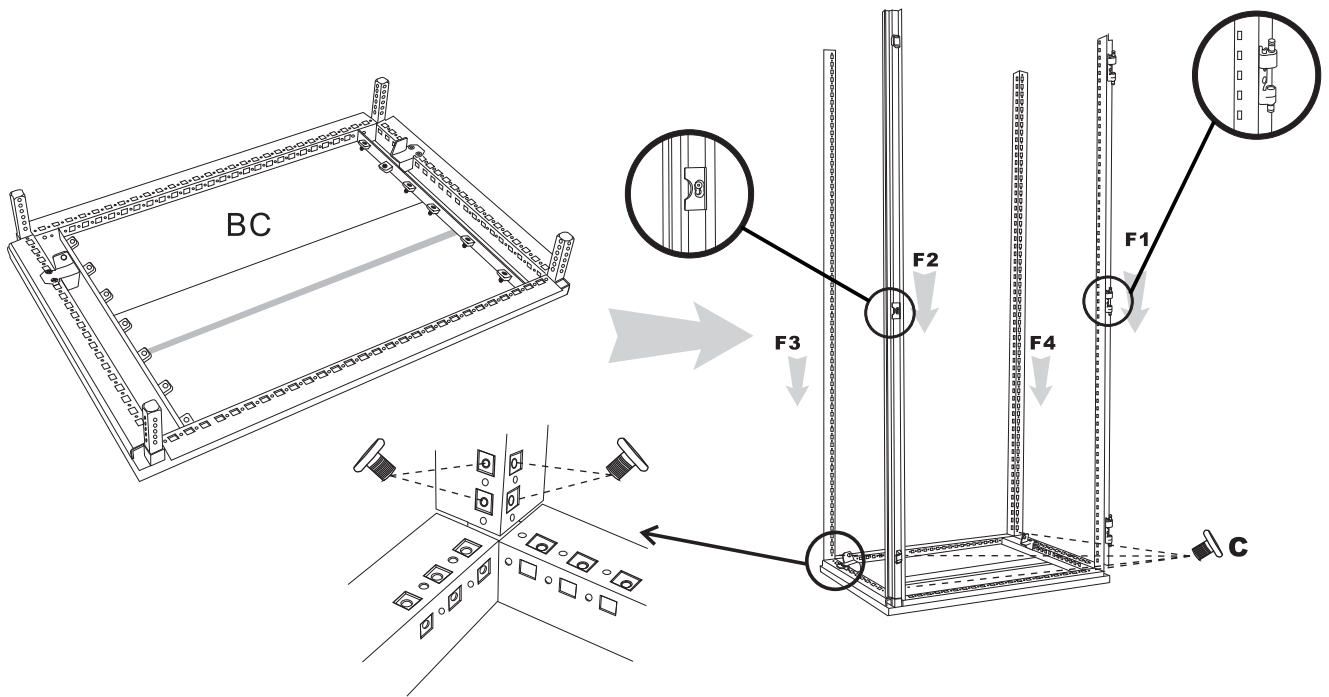


IP55 CE

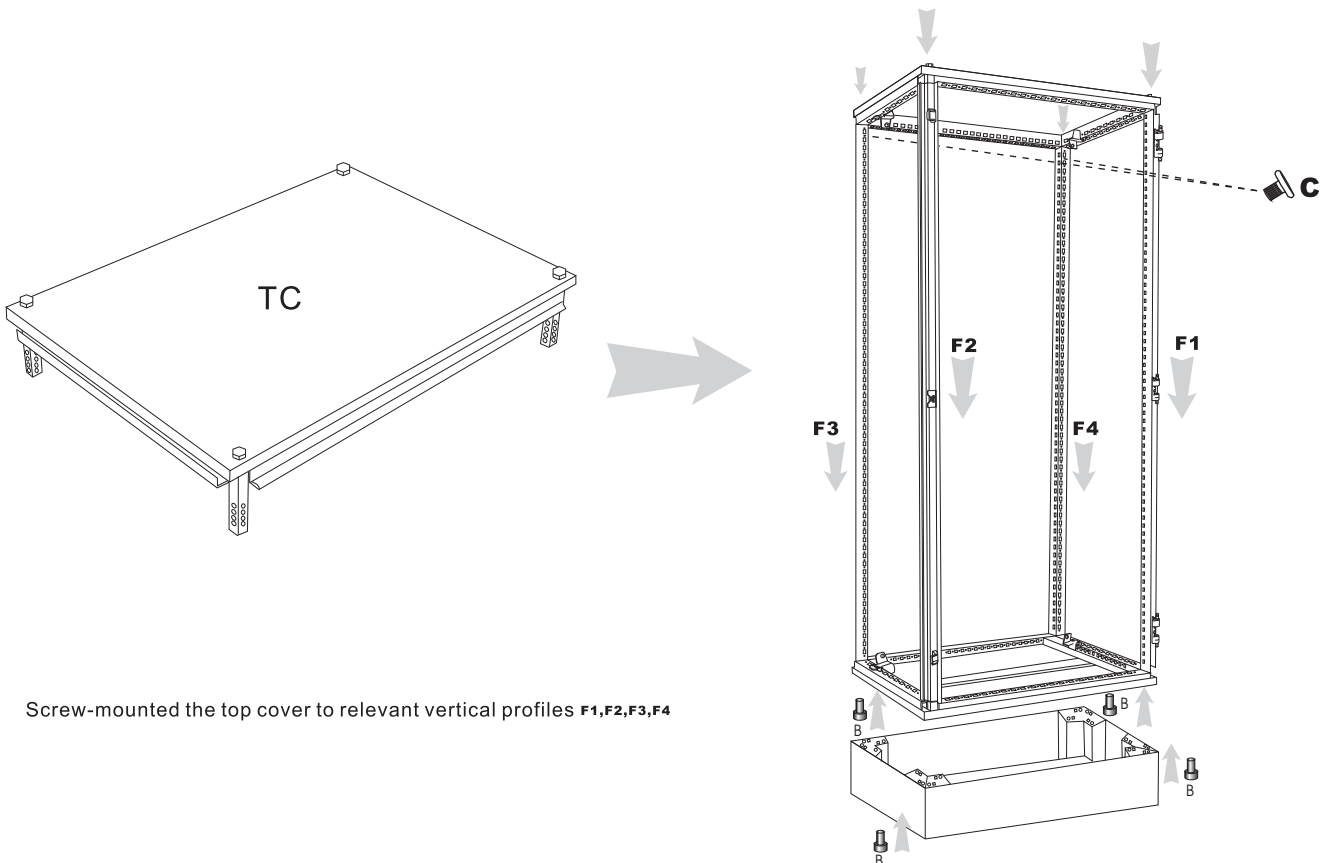
COMPONENTS



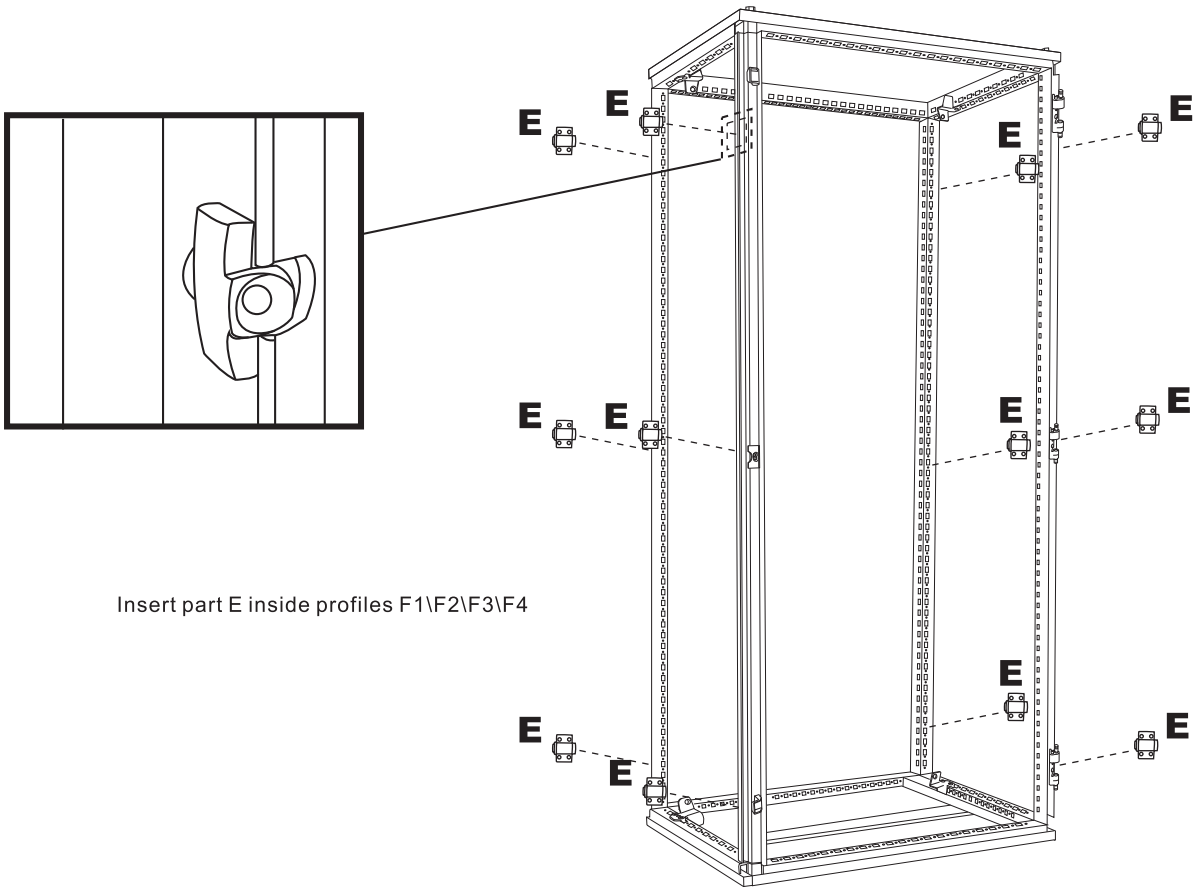
<p style="text-align: center;">A</p> 	<p style="text-align: center;">B</p> 	<p style="text-align: center;">C</p> 	<p style="text-align: center;">D</p> 	<p style="text-align: center;">E</p> 	<p style="text-align: center;">F</p> 
<p style="text-align: center;">M6X15MM</p>	<p style="text-align: center;">M12X25MM</p>	<p style="text-align: center;">M8X8MM</p>	<p style="text-align: center;">M12X20MM</p>		<p style="text-align: center;">M6X12MM</p>
<p style="text-align: center;">G</p> 	<p style="text-align: center;">H</p> 	<p style="text-align: center;">I</p> 	<p style="text-align: center;">J</p> 	<p style="text-align: center;">K</p> 	<p style="text-align: center;">L</p> 
<p style="text-align: center;">M8X20MM</p>	<p style="text-align: center;">M6 anya</p>	<p style="text-align: center;">M8 anya</p>	<p style="text-align: center;">M5X10MM</p>	<p style="text-align: center;">M6-Hoz</p>	<p style="text-align: center;">M8-Hoz</p>
<p style="text-align: center;">M</p>  <p style="text-align: center;">mounting plate fixing bracket</p>	<p style="text-align: center;">N</p>  <p style="text-align: center;">mask holder bracket</p>				



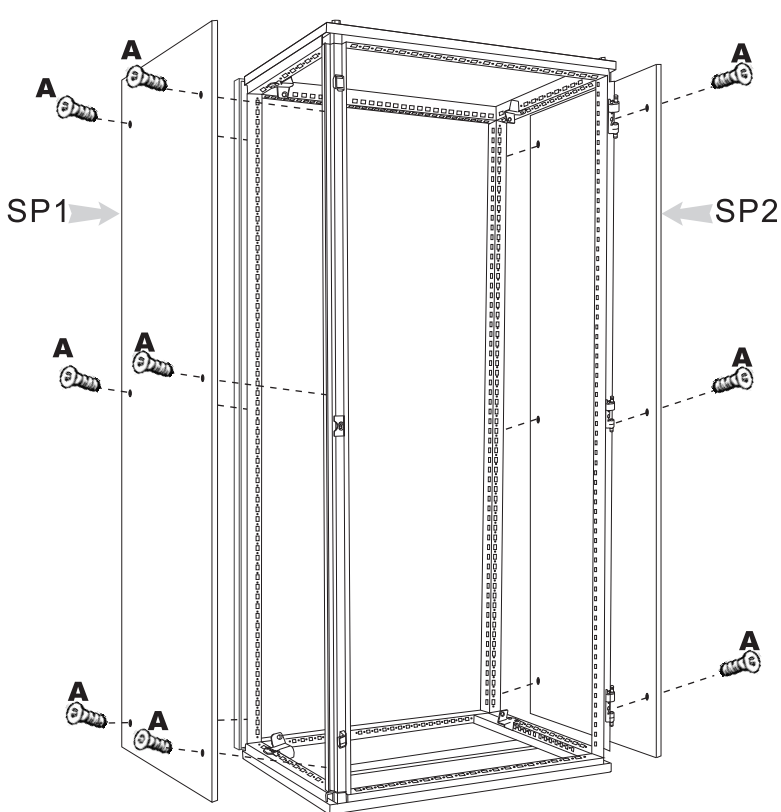
Fixing 4 vertical profiles **F1,F2,F3,F4** to relevant bottom base holes.



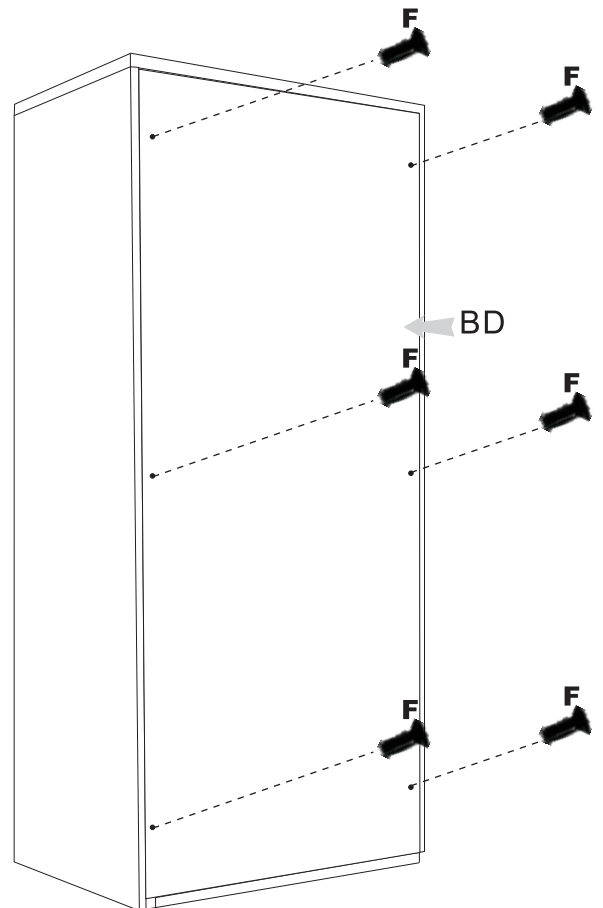
Screw-mounted the top cover to relevant vertical profiles **F1,F2,F3,F4**

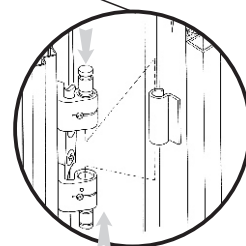
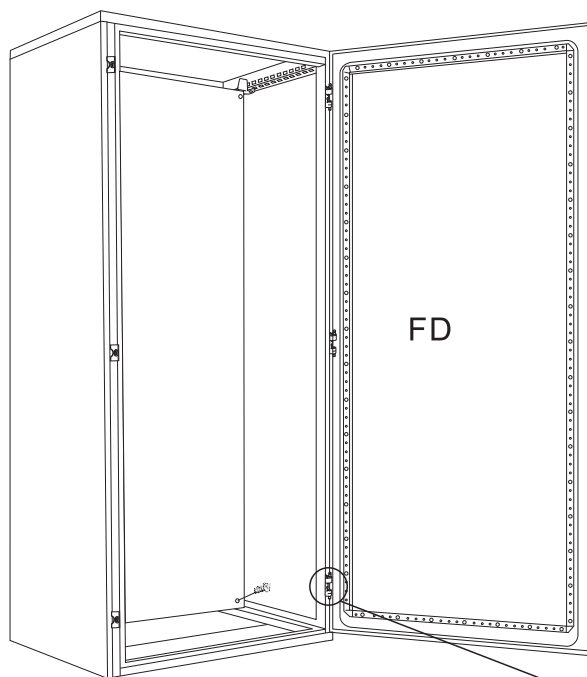
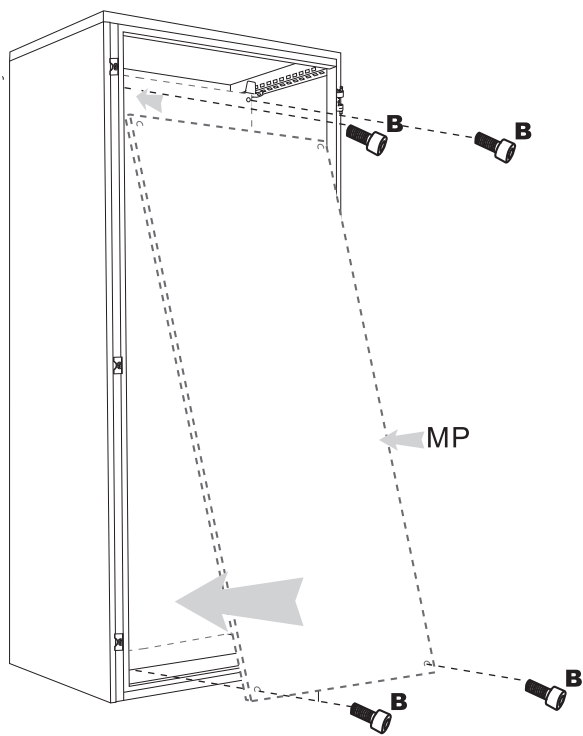


Insert part E inside profiles F1\F2\F3\F4

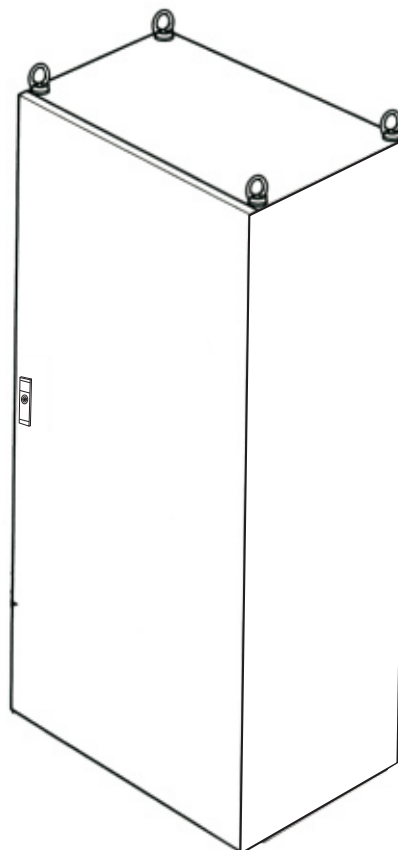
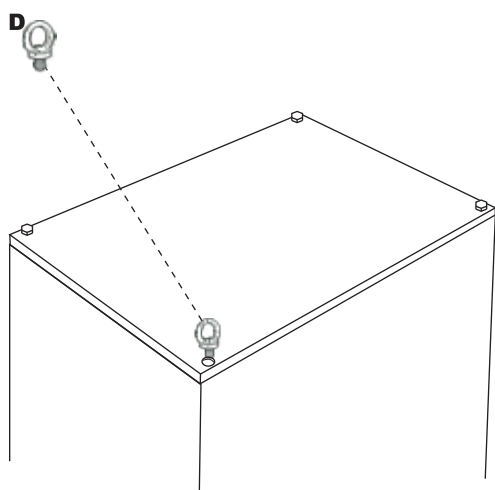


Screw-mounted back panel and side panels

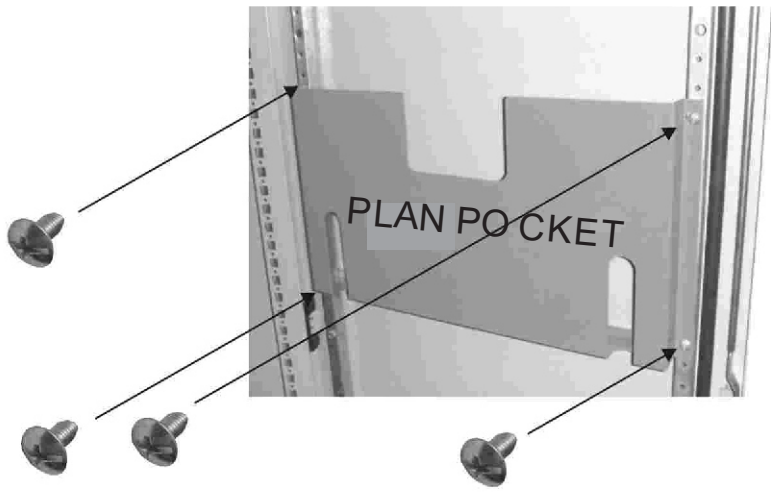




Screw-mounted removable mounting plate and front door

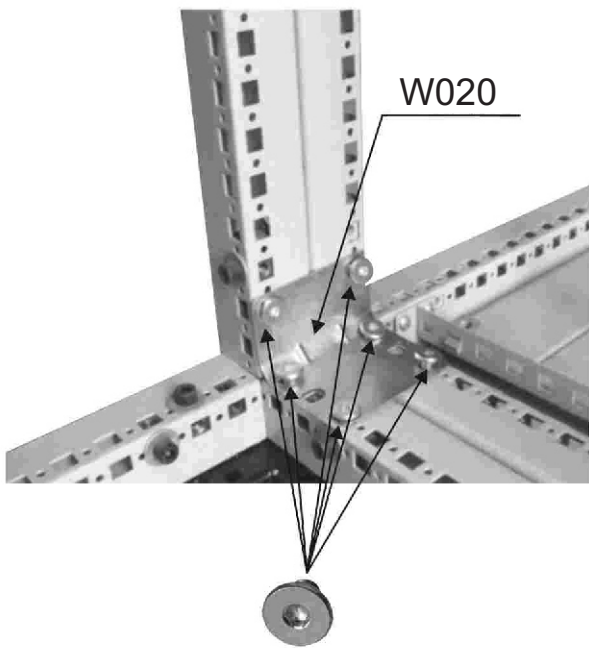


Be replaced Eyebolt lifting WA 065 with lifting brackets for special request

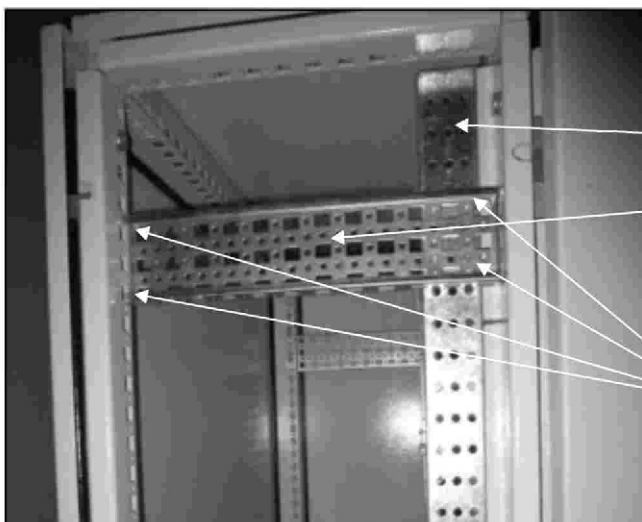


Use the screws(J) to fix the plan pocket to the door.

MODEL	For Cabinet Width	SIZE mm		
		W	H	D
PP400	400	255	260	90
PP500	500	355	260	90
PP600	600	455	260	90
PP800	800	655	260	90
PP900	900	755	260	90
PP1000	1000	855	260	90



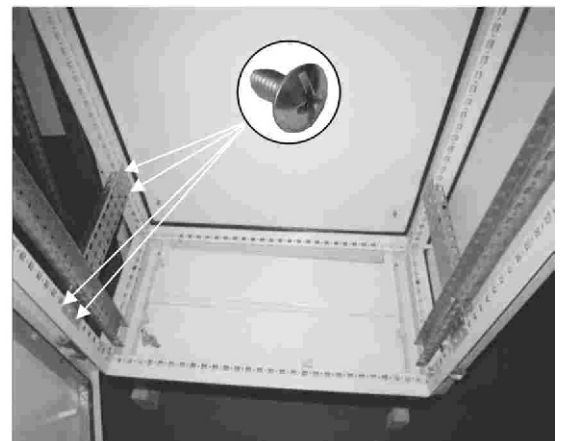
Fix the WA020 corner fixing element the rails.



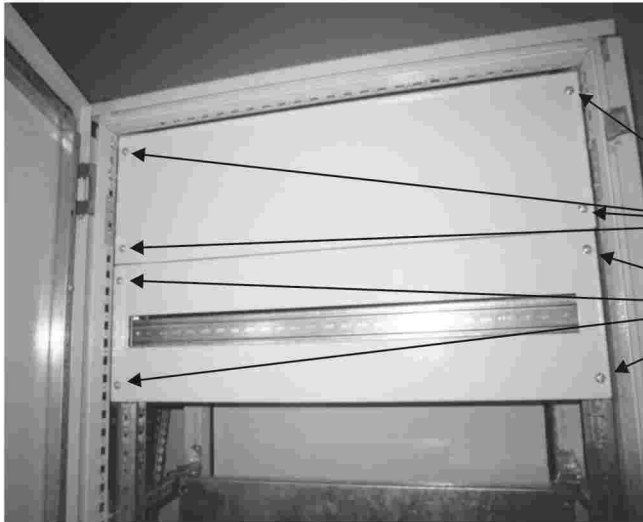
Fixing the RAILS mask holder.

4pcs of WD perforated mounting rail.

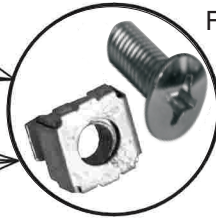
Use the screws(J)



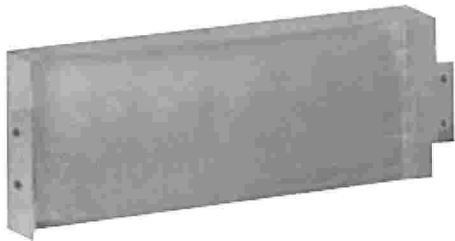
MDP mask mounting



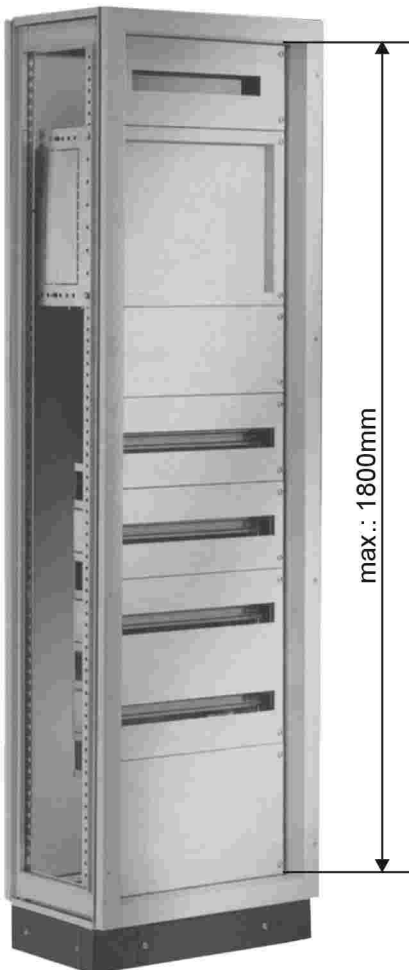
MDP602 blank plate
Fixing with 4(H) M6 nuts
and 4 (F) M6x12 screws



MDP02 102F modular mask
with rail
Fixing with 4 (H) M6 nuts and 4
(F) M6x12 screws

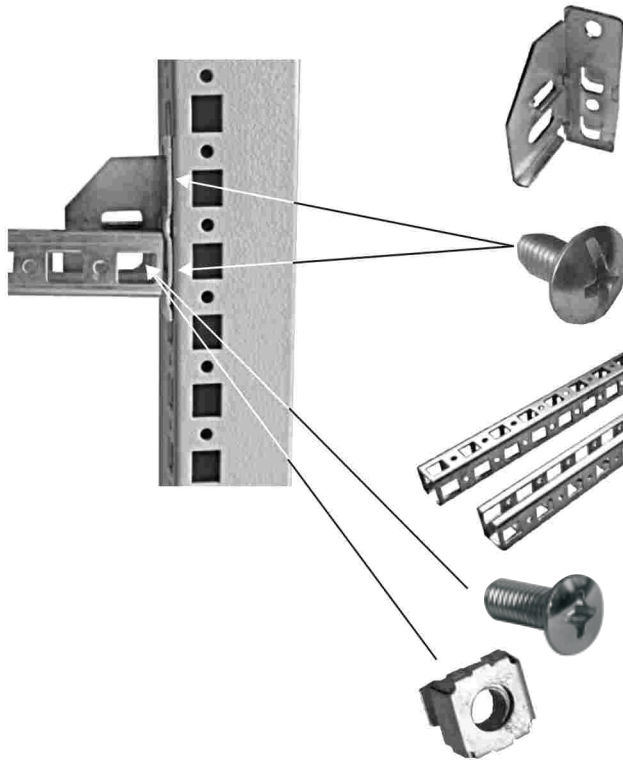


MDP102F mounting plate under mask
Fixing with 4 (H) M6 nuts
and 4 (F) M6x12 screws



*For a 2000mm high cabinet the max. size
of the masks is 1800mm.*

Mounting of the WHD perforated rail set for cables



For both sides 1pc of mask holder bracket (N) is needed.

Fix the mask holder brackets (J) with 2 screws.

Fixing the WHD rail set to the brackets.

Fixing with 2 (H) M6 nuts and 2 (F) M6x12 screws

AR modular floor standing cabinets dimensions

MODEL	HEIGHT	WIDTH	DEPTH
AR9 186/4	1800mm	600mm	400mm
AR9 186/6	1800mm	600mm	600mm
AR9 188/4	1800mm	800mm	400mm
AR9 188/6	1800mm	800mm	600mm
AR9 206/4	2000mm	600mm	400mm
AR9 208/5	2000mm	800mm	500mm
AR9 208/6	2000mm	800mm	600mm
AR9 208/8	2000mm	800mm	800mm
AR9 2012/6	2000mm	1200mm	600mm
AR9 208/6K	2000mm	800mm	600mm
AR8 188/4	1800mm	800mm	400mm
AR8 208/5	2000mm	800mm	500mm